

Product information

S7-Panel-HMI

HMI1560T



(valid from HMI-version HMI1560T-02)

Changes to older versions of this document

- Rev. 01** → **02**: new images, new design line, connectors added, drill jig info added
- Rev. 02** → **03**: new temperature ranges
- Rev. 03** → **04**: Slim-Line CPU-T implemented
- Rev. 04** → **05**: Outer dimension front plate corrected
- Rev. 05** → **06**: Information for disposal of old equipment

Description

S7-Panel-HMI with

- 15,6" TFT display (1366x768 pixel)
- resistive touch (front protection class IP65)

Standard configuration:

Ethernet as 2port switch
S7-connection (Put/Get)
Setup of own and partner IP-addresses and TSAP in VisuStage-project or in HMI-BIOS

to communicate with Siemens.-CPUs via their integrated Profinet/industrial Ethernet interface (allow Put/Get!)

State LEDs for
Power, Battery, Error, Run

Inserting stripes
- for Logo and identification (thereby customized adaption possible easy)

Scope of delivery:
- Mounting kit with grounding terminal i
- Technical data sheet

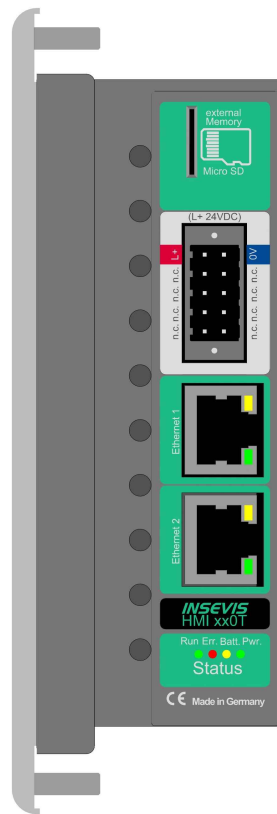
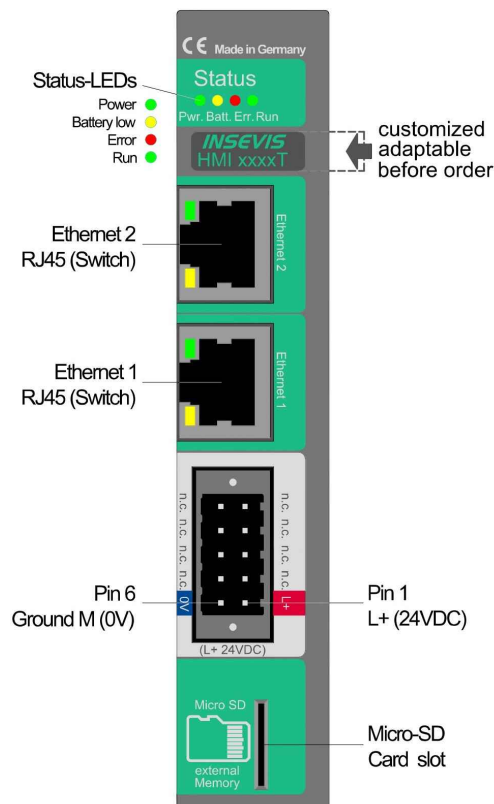


Figure above: View to rear side and connections sides of HMIxxx0T with Slim-CPU type T (horizontal use)

Figure below: CPU-connections of all Panel-HMI with Slim-CPUs type T



Technical data	
Dimensions W x H x D (mm) Cut out W x H (mm) Weight	420 x 260 x 59 (54mm mounting depth) 387 x 228 ca. 1.900 g
Operating temperature range Storage temperature range	0°C ... +50°C (without condensation) -20°C ... +60°C
IP-protection class front panel rear side	IP65 IP41
Connection technology	removable connector with 2 bolt flanges (cage clamp technology) for cross section up to max. 1,5mm ²
Load voltage L+	24V DC (11 V ... 30V DC)
Current consumption Power dissipation	500mA 12W (typ.)
Start-up current	< 3A
Diagonal of display (inch) Display resolution (pixel)	15,6" (258mm) 1366x768 Pixel (16:9)
Display unit Operating unit	TFT display with 16Bit colours analog resistive touch screen
Visualization tool unit to reference there	VisuStage HMI1560T
Technical data	
CPU	
CPU-type	CPU-T (HMI1560T)
Flash internal - for visualization external memory	48 MByte Micro SD, up to max. 8 GByte (only for archiving)
Ethernet (protocols)	2x Ethernet (switch) (RFC1006 / S7-communication to S7-CPU)

Cut out in switching cabinet

Dimensions
Cut out
(W x H / mm) 387 x 228
14 holes with D 4,5mm

Mounting depth
ca. 54mm max*

Wiring outlet
standard interfaces
2x RJ45 (Ethernet-switch)
E-CON(S)10 (power)
→ to the left

*) at rear view and
horizontal mounting

Ausbruch für / cut out for
PC1560T / PC1567T / HMI1560T

Drill jig → An 1:1 pattern as drill jig is available as PDF at INSEVIS web site for this product
Print it 1:1 and use it for marking the cut out.

Ordering data of devices

Identification	Standard
S7-Panel-HMI HMI1560T	HMI1560T-03

Ordering data of accessoires

Identification / Order-No.	Identification / Order-No.
Connector 2x5pin (bolt flanges) / E-CONS10-00	Micro SD-card 2GB (external memory) / E-MSD2-00
Micro SD-card 4GB (external memory) / E-MSD4-00	Micro SD-card 8GB (external memory) / E-MSD8-00

Qualified personnel

All devices described in this manual may only be used, built up and operated together with this documentation. Installation, initiation and operation of these devices might only be done by instructed personnel with certified skills, who can prove their ability to install and initiate electrical and mechanical devices, systems and current circuits in a generally accepted and admitted standard.

Manuals, sample programs

Additional documentation by manuals is available as well sample applications at the download area of www.insevis.com in English language for free download.

Copyright

This and all other documentation and software, supplied or hosted on INSEVIS web sites to download are copyrighted. Any duplicating of these data in any way without express approval by INSEVIS GmbH is not permitted. All property and copy rights of these documentation and software and every copy of it are reserved to INSEVIS GmbH.

Trade Marks

INSEVIS refers that all trade marks of particular companies used in own documentation are reserved trade marks are property of the particular owners and are subjected to common protection of trade marks.

Disclaimer

All technical details in this documentation were created by INSEVIS with highest diligence. Anyhow mistakes could not be excluded, so no responsibility is taken by INSEVIS for the complete correctness of this information. This documentation will reviewed regularly and necessary corrections will be done in next version. With publication of this data all other versions are no longer valid.

Disposal



Do not throw old appliances in the household waste! In the interest of environmental protection, old appliances must be collected separately from unsorted municipal waste. You can find out more about the proper disposal / return of your old appliance at www.insevis.com/disposal.

Attention: The deletion of personal data on the old devices to be disposed of is the responsibility of the end user.

With publication of this information all other versions are no longer valid.